



Dimensions

Width (external)	1102.00 mm
Depth (external)	574.00 mm
Height (external)	600.00 mm
Width (internal)	979.00 mm
Depth (internal)	452.00 mm
Height (internal)	502.00 mm

The available internal dimensions can vary depending on the interior equipment package.

Weight / Load

Weight without interior equipment	180 kg
Distributed load	277.00 kg/m ²
Maximum load	300 kg

Ventilation

Extraction air	50 DN
Minimum exhaust air quantity 10 times	2 m ³ /h
Differential pressure (10 times air change)	1 Pa

Colouring / Surface finish

Body colour code	
Body colour	Laboratory white (sim. RAL 9016)
Body surface finish	plain
Door / Drawer colour code	
Door / Drawer colour	Laboratory white (sim. RAL 9016)
Door / Drawer surface finish	plain

General Information

Number of doors	2
Door opening angle	93.00°
Depth with open doors	1097 mm
Customs tariff number	94032080

Safety storage under bench cabinet UB-T-90

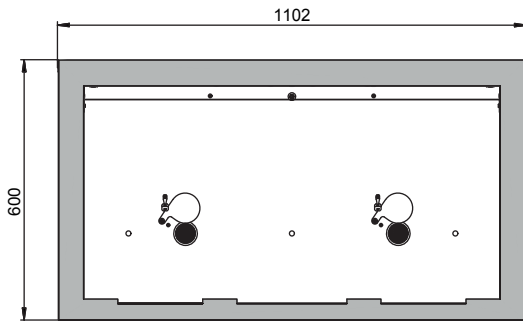
Model UB90.060.110.UL.2T, laboratory white (sim. RAL 9016)

Safe and approved storage of flammable hazardous substances in working areas

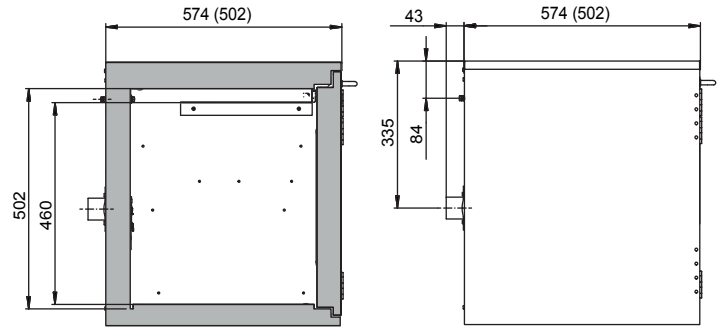
Function / construction:

- **Robust construction and longevity:** body made of powder-coated sheet steel
- **Easy handling with comfort:** doors stop in any position, self-closing in the event of fire
- **User-friendly:** access to all containers, 93° opening of the wing door, interior of the cabinet completely visible
- **No unauthorised use:** doors lockable with cylinder lock and locking state indicator (red/green)
- **Mobile:** castors with plinth (optionally available), easy moving of the cabinet
- **Ventilation:** integrated air ducts ready for connection (DN 50) to a technical exhaust system

Front view



Side view



Top view

