



Safety storage under bench cabinet UB-T-90
 Model UB90.060.089.UL.2T, laboratory white (sim. RAL 9016)

Safe and approved storage of flammable hazardous substances in working areas

Function / construction:

- **Robust construction and longevity:** body made of powder-coated sheet steel
- **Easy handling with comfort:** doors stop in any position, self-closing in the event of fire
- **User-friendly:** access to all containers, 93° opening of the wing door, interior of the cabinet completely visible
- **No unauthorised use:** doors lockable with cylinder lock and locking state indicator (red/green)
- **Mobile:** castors with plinth (optionally available), easy moving of the cabinet
- **Ventilation:** integrated air ducts ready for connection (DN 50) to a technical exhaust system

Dimensions

Width (external)	893.00 mm
Depth (external)	574.00 mm
Height (external)	600.00 mm
Width (internal)	771.00 mm
Depth (internal)	452.00 mm
Height (internal)	502.00 mm

Weight / Load

Weight without interior equipment	140 kg
Distributed load	313.00 kg/m ²
Maximum load	300 kg

Ventilation

Extraction air	50 DN
Minimum exhaust air quantity 10 times	1 m ³ /h
Differential pressure (10 times air change)	1 Pa

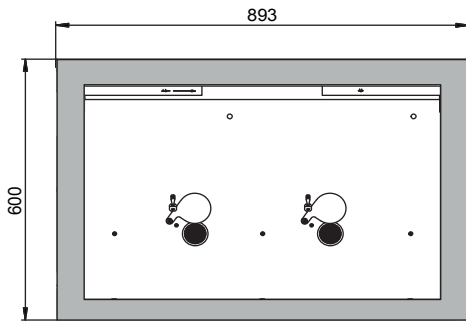
Colouring / Surface finish

Body colour code	
Body colour	Laboratory white (sim. RAL 9016)
Body surface finish	plain
Door / Drawer colour code	
Door / Drawer colour	Laboratory white (sim. RAL 9016)
Door / Drawer surface finish	plain

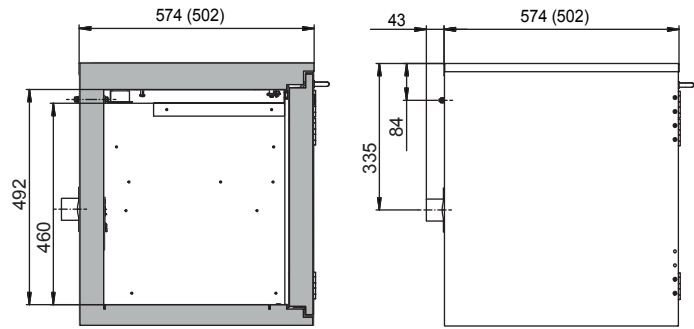
General Information

Number of doors	2
Door opening angle	93.00°
Depth with open doors	992 mm
Customs tariff number	94032080

Front view



Side view



Top view

