



Safety storage cabinet V-MOVE-90
Model V90.196.045.VDAC:0013, body colour anthracite grey (RAL 7016), with vertical drawer in traffic red (RAL 3020)

Safe and approved storage of flammable hazardous substances in working areas

Function / construction:

- **Robust construction and longevity:** robust, high-quality, scratch-resistant outer body with powder-coated surface
- **Electronic opening and closing:** the vertical drawer opens and closes at the push of a button
- **Perfect access:** the vertical drawer provides an overview and simple access to the stored containers
- **Always closed:** serial automatic door closing (TSA) after approx. 60 seconds with acoustic and visual signal before drawer closing
- **No unauthorised use:** vertical drawer lockable with cylinder locking (integration in an existing locking system possible) and locking state indicator (red/green)
- **Easy alignment:** adjusting aids to compensate for uneven floor
- **Ventilation:** integrated air ducts ready for connection (DN 75) to a technical exhaust system

Dimensions

Width (external)	449 mm
Depth (external)	860 mm
Height (external)	1966 mm
Width (internal)	331 mm
Depth (internal)	775 mm
Height (internal)	1750 mm

The available internal dimensions can vary depending on the interior equipment package.

Weight / Load

Weight without interior equipment	344 kg
Distributed load	580 kg/m ²
Maximum load	140 kg

Ventilation

Extraction air	75 DN
Minimum exhaust air quantity 10 times	5 m ³ /h
Differential pressure (10 times air change)	5 Pa

Electrical component

Connection cable	5 m
Positioning of connection cable	Ceiling of the cabinet
Frequency	50/60 Hz
Power consumption in operation	50 W
Power consumption in standby mode	0,5 W
Maximum current consumption	0.5 A
Nominal voltage	85-265 V

Colouring / Surface finish

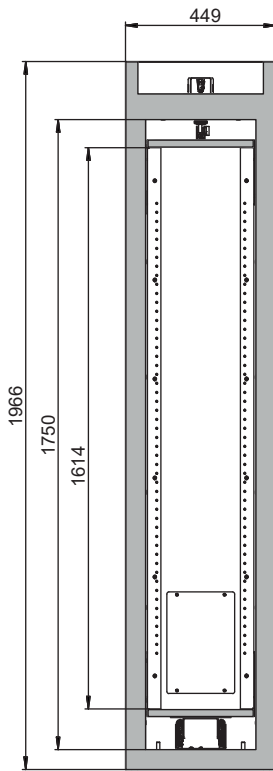
Body colour code	RAL 7016
Body colour	anthracite grey
Body surface finish	textured
Door / Drawer colour code	RAL 3020
Door / Drawer colour	Traffic red
Door / Drawer surface finish	textured

General Information

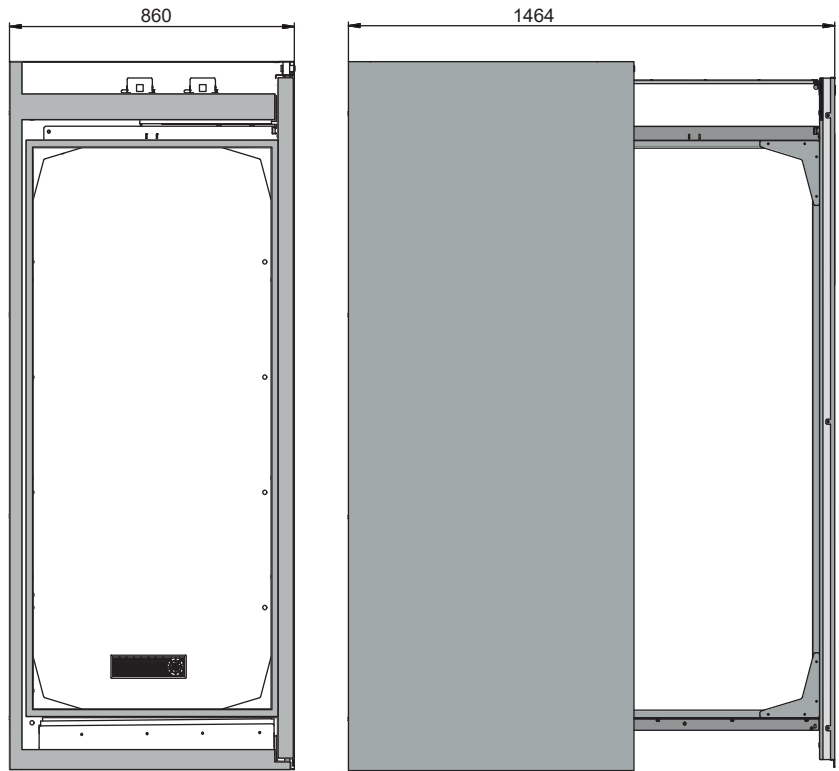
Storage capacity of 400 ml aerosol cans	46 piece
Storage capacity of 1 litre laboratory glass bottles	21 piece
Storage capacity of 2.5 litre laboratory glass bottles	8 piece
Customs tariff number	94032080

Storage capacities per storage level / type of container

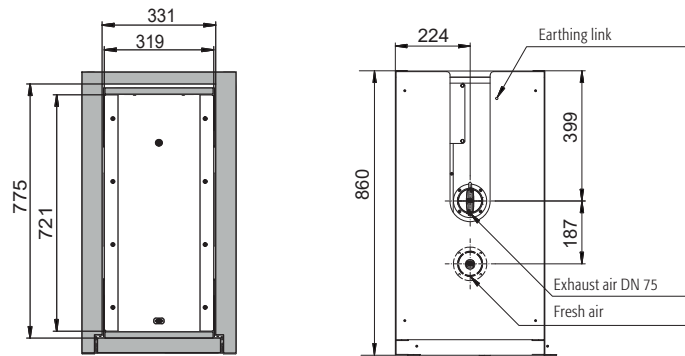
Front view



Side view



Top view



For further information please visit www.asecos.com