



Safety storage underbench cabinet UB-S-90K
Model UB90.060.110.KU.S, in pure white (RAL 9010)

Safe, cooled and approved storage of highly flammable hazardous substances in working areas

Function / construction:

- **Robust construction and longevity:** body made of powder-coated sheet steel
- **user-friendly:** drawer remains open in any position, interior of drawer completely visible – access to all containers
- **no unauthorised use:** drawer lockable with cylinder lock and locking state indicator (red/green)
- **mobile:** castors with plinth, easy moving of the cabinet
- **ventilation:** integrated technical recirculating air system with multistage filter system and cool-device cable
- **refrigerating unit:** constant refrigeration effect inside the cabinet with the maximum refrigerating temperature of +2 °C (with max. 25 °C room temperature)



Dimensions

Width (external)	1108.00 mm
Depth (external)	574.00 mm
Height (external)	630.00 mm
Width (internal)	753.00 mm
Depth (internal)	443.00 mm
Height (internal)	484.00 mm

The available internal dimensions can vary depending on the interior equipment package.

Weight / Load

Weight without interior equipment	220 kg
Distributed load	298.00 kg/m ²
Maximum load	300 kg

Ventilation

Frequency	50 Hz
Power consumption in operation	247 W
Power consumption in standby mode	7,2 W
Maximum current consumption	2 A
Nominal voltage	230 V

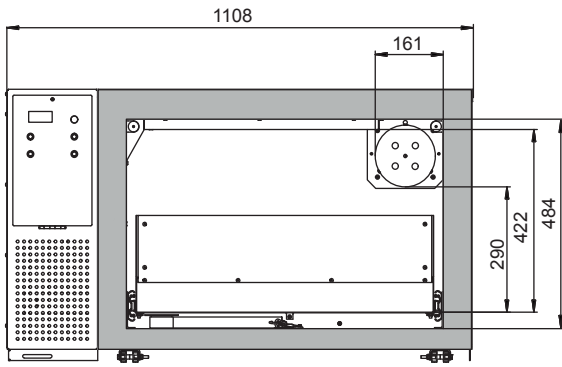
Colouring / Surface finish

Body colour code	
Body colour	Laboratory white (sim. RAL 9016)
Body surface finish	plain
Door / Drawer colour code	
Door / Drawer colour	Laboratory white (sim. RAL 9016)
Door / Drawer surface finish	plain

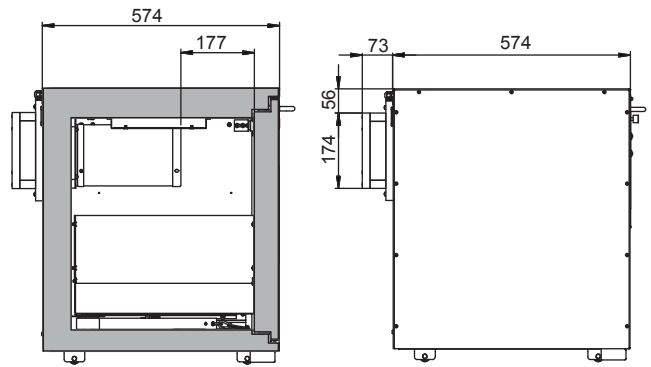
General Information

Number of drawers	1
Capacity drawer	17.50 litres
Depth with open doors	956 mm
Customs tariff number	94032080

Front view



Side view



Top view

