



Safety storage cabinet Q-CLASSIC-30
 Model Q30.195.056.R, body colour anthracite grey, with
 wing door in traffic red (RAL 3020)

**Safe and approved storage of flammable hazardous
 substances in working areas**

Function / construction:

- **Robust construction and longevity:** triple hinged door, cabinet body made of melamine resin and flame retardant special plates, safety elements assembled outside the storage compartment for increased protection against corrosion, doors with metal front as well as scratch- and impact-resistant surface, easy to clean
- **Easy handling with comfort:** door stops in any position, self-closing in the event of fire
- **No unauthorised use:** door lockable with profile cylinder (integration in an existing locking system possible)
- **Easy transport:** integrated transport base with removable, optional base cover or adjusting aids with base cover
- **Ventilation:** integrated air ducts ready for connection (DN 75) to a technical exhaust system

Dimensions

Width (external)	564 mm
Depth (external)	620 mm
Height (external)	1947 mm
Width (internal)	450 mm
Depth (internal)	519 mm
Height (internal)	1626 mm

The available internal dimensions can vary depending on the interior equipment package.

Weight / Load

Weight without interior equipment	146 kg
Distributed load	816 kg/m ²
Maximum load	600 kg

Ventilation

Extraction air	75 DN
Minimum exhaust air quantity 10 times	4 m ³ /h
Differential pressure (10 times air change)	10 Pa

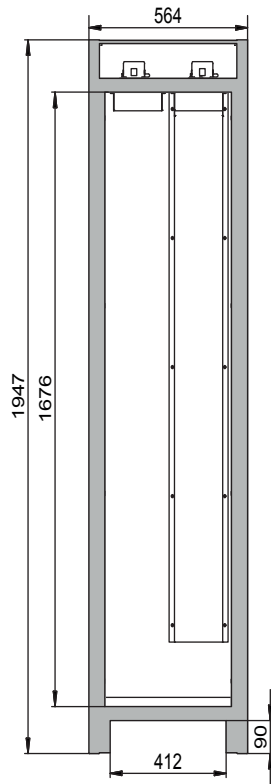
Colouring / Surface finish

Body colour	anthracite grey
Body surface finish	textured
Door / Drawer colour code	RAL 3020
Door / Drawer colour	Traffic red
Door / Drawer surface finish	textured

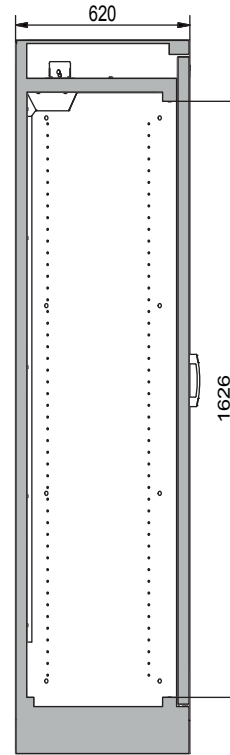
General Information

Number of doors	1
Door opening angle	90.00°
Depth with open doors	1094 mm
Interior grid dimension	32 mm
Entry width transport base	488 mm
Entry height transport base	90 mm
Customs tariff number	94032080

Front view



Side view



Top view

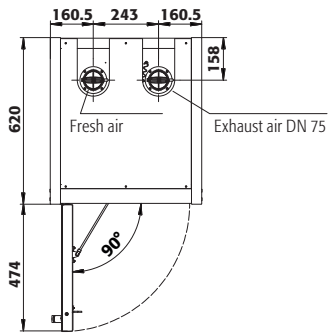


Diagram shows left-hinged door. Dimensions are identical for a right-hinged fitting.