



**Cabinet for chemicals CS-CLASSIC-G**  
**Model CS.195.105.WDFW, body colour anthracite grey (RAL 7016), with glass-paneled wing doors in traffic red (RAL 3020)**

**Safe and proper storage of non-flammable chemicals and toxic substances in working areas**

#### Function / construction:

- **Robust construction and longevity:** robust, high-quality, scratch-resistant outer body with powder-coated textured surface
- **no unauthorised use:** doors lockable with cylinder locking (integrated in the turning handle)
- **easy alignment:** adjusting aids to compensate for uneven floor
- **ventilation:** natural ventilation due to ventilation openings at the cabinet bottom, ready for connection to a technical exhaust system

#### Dimensions

Width (external)	1055.00 mm
Depth (external)	520.00 mm
Height (external)	1950.00 mm
Width (internal)	996.00 mm
Depth (internal)	493.00 mm
Height (internal)	1835.00 mm

The available internal dimensions can vary depending on the interior equipment package.

#### Weight / Load

Weight without interior equipment	75 kg
Distributed load	421.00 kg/m <sup>2</sup>
Maximum load	600 kg

#### Ventilation

Extraction air	75 DN
minimum exhaust air quantity 10 times	9 m <sup>3</sup> /h
Pressure drop inside the cabinet	2 Pa

#### Colouring / Surface finish

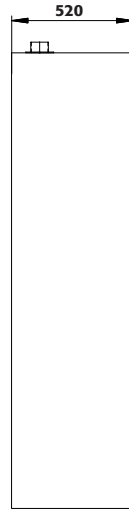
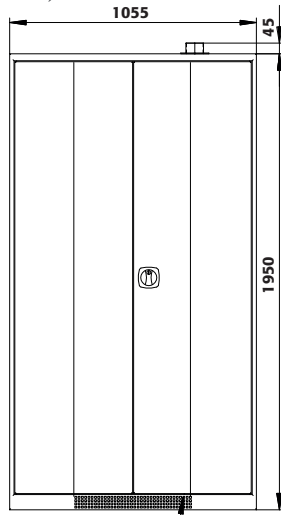
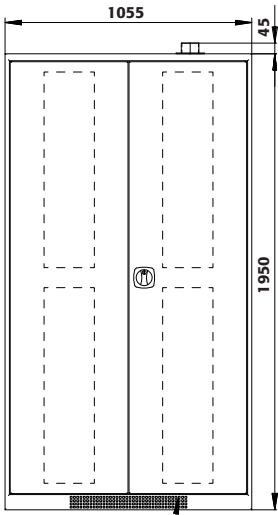
Body colour code	RAL 7016
Body colour	anthracite grey
Body surface finish	textured
Door / Drawer colour code	RAL 3020
Door / Drawer colour	Traffic red
Door / Drawer surface finish	textured

#### General Information

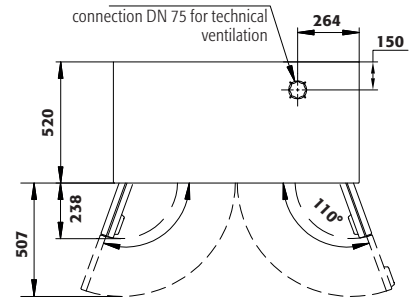
Number of doors	2
Depth with open doors	1026 mm
Customs tariff number	94032080

Front view

CS.195.105.((F).WDFW)



Top view



Natural ventilation

Natural ventilation