



**Safety storage under bench cabinet UB-T-30
Model UB30.060.110.2T, light grey (RAL 7035)**

Safe and approved storage of flammable hazardous substances in working areas

Function / construction:

- **Robust construction and longevity:** body made of powder-coated sheet steel
- **User-friendly:** access to all containers, 93° opening of the wing door, interior of the cabinet completely visible
- **No unauthorised use:** doors lockable with cylinder lock and locking state indicator (red/green)
- **Mobile:** castors with plinth (optionally available), easy moving of the cabinet
- **Ventilation:** integrated air ducts ready for connection (DN 50) to a technical exhaust system



Dimensions

| | |
|--------------------------|------------|
| Width (external) | 1102.00 mm |
| Depth (external) | 574.00 mm |
| Height (external) | 600.00 mm |
| Width (internal) | 979.00 mm |
| Depth (internal) | 452.00 mm |
| Height (internal) | 502.00 mm |

The available internal dimensions can vary depending on the interior equipment package.

Weight / Load

| | |
|--|--------------------------|
| Weight without interior equipment | 120 kg |
| Distributed load | 277.00 kg/m ² |
| Maximum load | 300 kg |

Ventilation

| | |
|--|---------------------|
| Extraction air | 50 DN |
| minimum exhaust air quantity 10 times | 2 m ³ /h |
| Pressure drop inside the cabinet | 1 Pa |

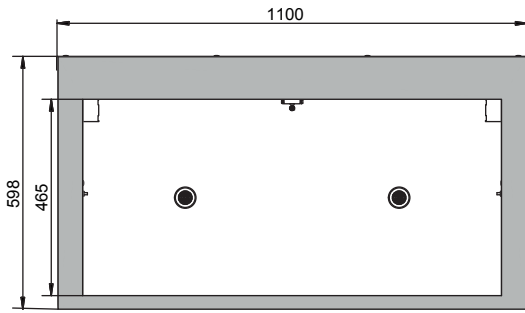
Colouring / Surface finish

| | |
|-------------------------------------|------------|
| Body colour code | RAL 7035 |
| Body colour | Light grey |
| Body surface finish | plain |
| Door / Drawer colour code | RAL 7035 |
| Door / Drawer colour | Light grey |
| Door / Drawer surface finish | plain |

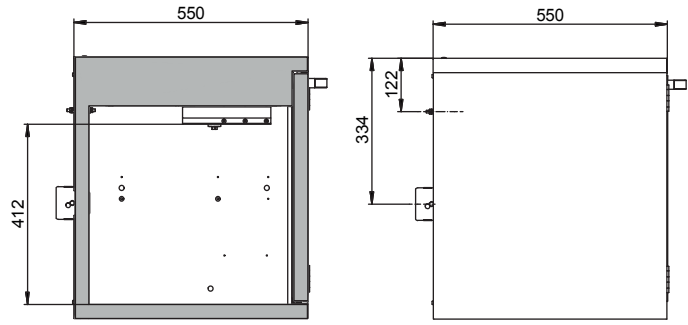
General Information

| | |
|------------------------------|----------|
| Number of doors | 2 |
| Door opening angle | 135.00° |
| Depth with open doors | 1058 mm |
| Customs tariff number | 94032080 |

Front view



Side view



Top view

