



**Safety storage under bench cabinet UB-T-90  
Model UB90.060.110.2T, light grey (RAL 7035)**

**Safe and approved storage of flammable hazardous substances in working areas**

**Function / construction:**

- **Robust construction and longevity:** body made of powder-coated sheet steel
- **Easy handling with comfort:** doors stop in any position, self-closing in the event of fire
- **User-friendly:** access to all containers, 93° opening of the wing door, interior of the cabinet completely visible
- **No unauthorised use:** doors lockable with cylinder lock and locking state indicator (red/green)
- **Mobile:** castors with plinth (optionally available), easy moving of the cabinet
- **Ventilation:** integrated air ducts ready for connection (DN 50) to a technical exhaust system



**Dimensions**

|                          |            |
|--------------------------|------------|
| <b>Width (external)</b>  | 1102.00 mm |
| <b>Depth (external)</b>  | 574.00 mm  |
| <b>Height (external)</b> | 600.00 mm  |
| <b>Width (internal)</b>  | 979.00 mm  |
| <b>Depth (internal)</b>  | 452.00 mm  |
| <b>Height (internal)</b> | 502.00 mm  |

The available internal dimensions can vary depending on the interior equipment package.

**Weight / Load**

|  |                          |
|--|--------------------------|
| <b>Weight without interior equipment</b> | 180 kg                   |
| <b>Distributed load</b>                  | 277.00 kg/m <sup>2</sup> |
| <b>Maximum load</b>                      | 300 kg                   |

**Ventilation**

|  |                     |
|--|---------------------|
| <b>Extraction air</b>                        | 50 DN               |
| <b>minimum exhaust air quantity 10 times</b> | 2 m <sup>3</sup> /h |
| <b>Pressure drop inside the cabinet</b>      | 1 Pa                |

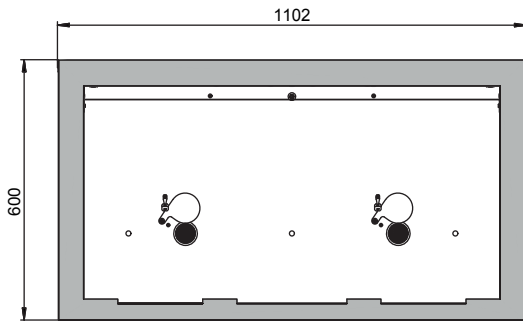
**Colouring / Surface finish**

|                                     |            |
|-------------------------------------|------------|
| <b>Body colour code</b>             | RAL 7035   |
| <b>Body colour</b>                  | Light grey |
| <b>Body surface finish</b>          | plain      |
| <b>Door / Drawer colour code</b>    | RAL 7035   |
| <b>Door / Drawer colour</b>         | Light grey |
| <b>Door / Drawer surface finish</b> | plain      |

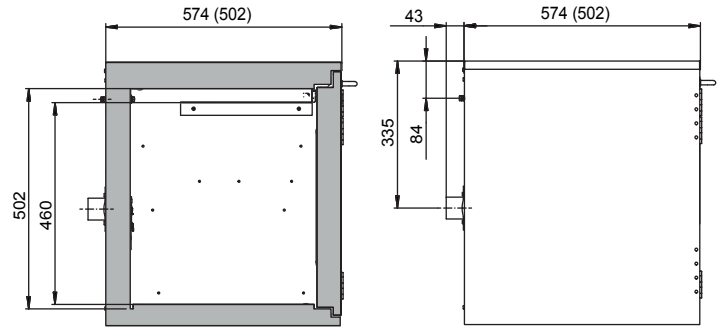
**General Information**

|                              |          |
|------------------------------|----------|
| <b>Number of doors</b>       | 2        |
| <b>Door opening angle</b>    | 135.00°  |
| <b>Depth with open doors</b> | 1097 mm  |
| <b>Customs tariff number</b> | 94032080 |

Front view



Side view



Top view

