



**Safety storage cabinet XL-CLASSIC-90**  
**Model XL90.222.110.WDAS, light grey (RAL 7035)**

**Safe and approved storage of flammable hazardous substances in working areas**

**Function / construction:**

- **User-friendly and safe:** door open arrest system (standard), convenient and safe removal or storage of containers
- **No unauthorised use:** doors lockable with cylinder lock
- **Internal flexibility:** transport base (optional) for safe and easy in-house transport
- **Ventilation:** integrated air ducts ready for connection (DN 75) to a technical exhaust system
- **Safety while decanting:** end-to-end earthing link at the rear panel, inside with earthing wires incl. clamp

**Dimensions**

<b>Width (external)</b>	1105 mm
<b>Depth (external)</b>	1018 mm
<b>Height (external)</b>	2224 mm
<b>Width (internal)</b>	936 mm
<b>Depth (internal)</b>	864 mm
<b>Height (internal)</b>	1890 mm

The available internal dimensions can vary depending on the interior equipment package.

**Weight / Load**

<b>Weight without interior equipment</b>	855 kg
<b>Distributed load</b>	832 kg/m <sup>2</sup>
<b>Maximum load</b>	1000 kg

**Ventilation**

<b>Extraction air</b>	75 DN
<b>minimum exhaust air quantity 10 times</b>	17 m <sup>3</sup> /h
<b>Pressure drop inside the cabinet</b>	15 Pa

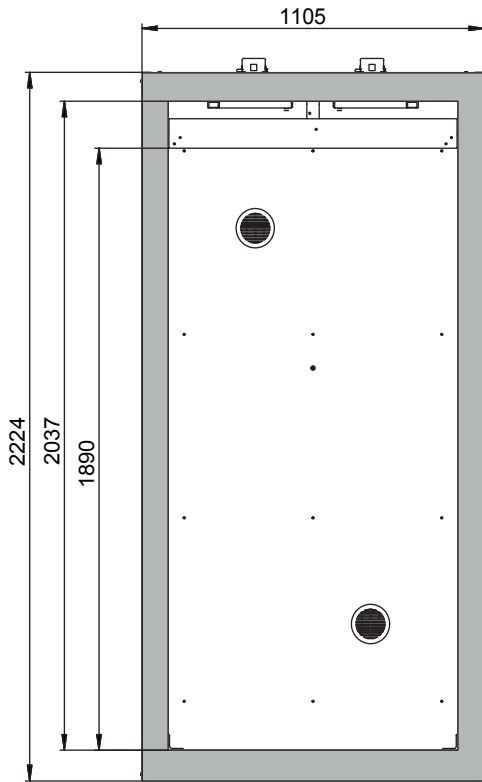
**Colouring / Surface finish**

<b>Body colour code</b>	RAL 7035
<b>Body colour</b>	Light grey
<b>Body surface finish</b>	plain
<b>Door / Drawer colour code</b>	RAL 7035
<b>Door / Drawer colour</b>	Light grey
<b>Door / Drawer surface finish</b>	plain

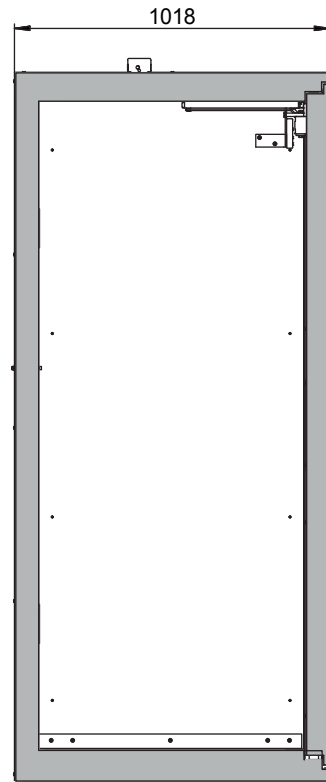
**General Information**

<b>Number of doors</b>	2
<b>Depth with open doors</b>	1531 mm
<b>Customs tariff number</b>	94032080

Front view



Side view



Top view

