



**Combi safety storage cabinet K-PHOENIX-30**  
**Model K30.197.120.MV.FWAS, in light grey (RAL 7035)**

**Safe and approved storage of aggressive and flammable hazardous substances in working areas**

**Function / construction:**

- **Robust construction and longevity:** triple hinged door, body made of powder-coated sheet steel, safety elements assembled outside the cabinet for increased protection against corrosion
- **two in one:** 2 compartments (vertical separation) allow the storage of flammable liquids and aggressive hazardous materials in one cabinet
- **user-friendly and safe (folding door compartment):** door open arrest system (standard), convenient and safe removal or storage of containers
- **no unauthorised use:** doors lockable with profile cylinder (integration in an existing locking system possible) / cylinder lock

**Dimensions**

<b>Width (external)</b>	1202.00 mm
<b>Depth (internal)</b>	519.00 mm
<b>Height (external)</b>	1968.00 mm
<b>Width (internal)</b>	532.00 mm
<b>Depth (external)</b>	598.00 mm
<b>Height (internal)</b>	1691.00 mm

The available internal dimensions can vary depending on the interior equipment package.

**Weight / Load**

<b>Weight without interior equipment</b>	330 kg
<b>Distributed load</b>	484.00 kg/m <sup>2</sup>
<b>Maximum load</b>	600 kg

**Ventilation**

<b>Extraction air</b>	75 DN
<b>minimum exhaust air quantity 10 times</b>	9 m <sup>3</sup> /h
<b>Pressure drop inside the cabinet</b>	5 Pa

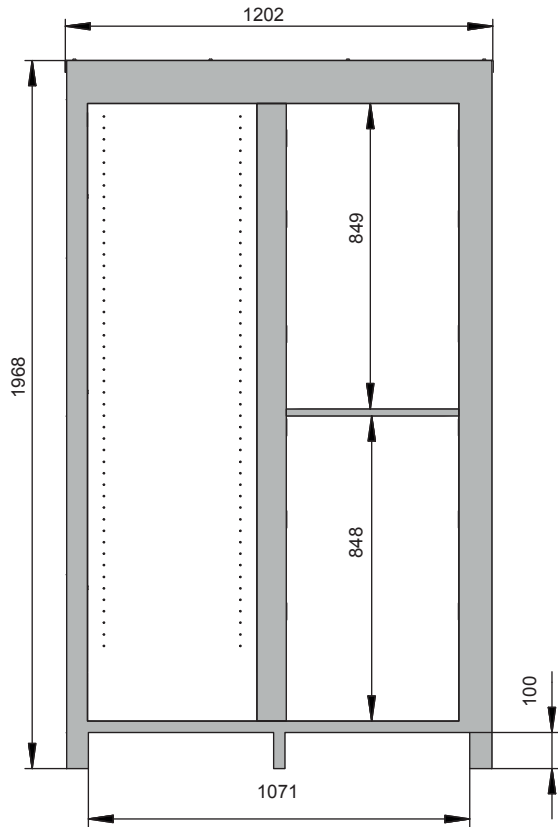
**Colouring / Surface finish**

<b>Body colour code</b>	RAL 7035
<b>Body colour</b>	Light grey
<b>Body surface finish</b>	plain
<b>Door / Drawer colour code</b>	RAL 7035
<b>Door / Drawer colour</b>	Light grey
<b>Door / Drawer surface finish</b>	plain

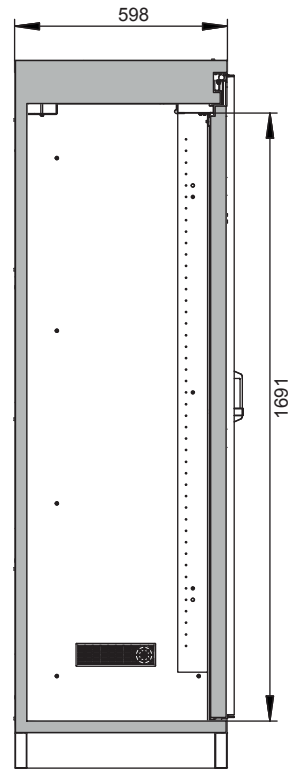
**General Information**

<b>Left compartment</b>	Compartment for the storage of flammable liquids
<b>Right compartment</b>	Compartment for the storage of aggressive, non flammable hazardous materials
<b>Depth with open doors</b>	1155 mm
<b>Customs tariff number</b>	94032080

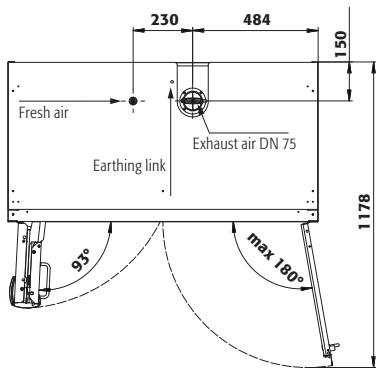
Front view



Side view



Top view



For further information please visit [www.asecos.com](http://www.asecos.com)