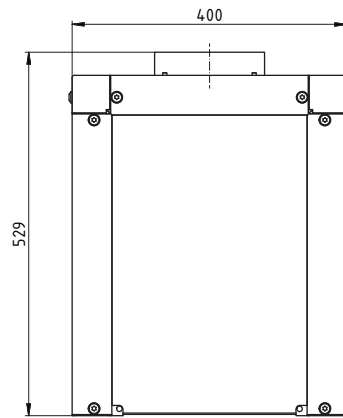
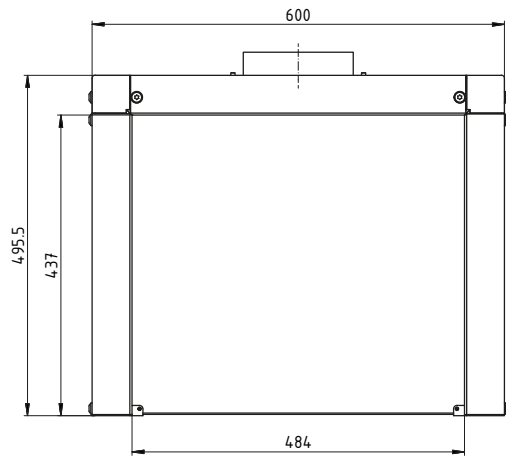


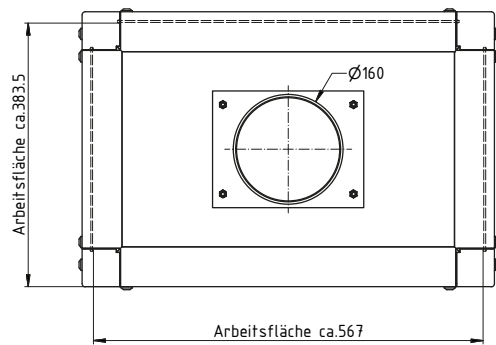
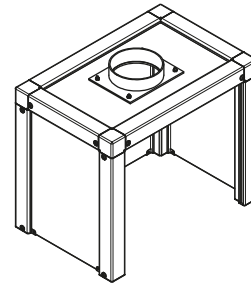

Function / construction:

- Ventilation testing of the air equipment in accordance with EN 14175-3 (5.4.4)
- The prescribed specified workplace limit values are maintained
- Ideal for assembly on an existing workplace
- Robust construction made of chemically resistant, anodised aluminium profiles
- Fracture-resistant acrylic glass, 5 mm
- Mounting on an on-site air exhaust system
- Connecting pieces (DN 160) in the ceiling for connection to the on-site exhaust air system
- The air speed should be 0,3 m/s

Technical data			
External dimensions (mm)		Weight (kg)	
Height (external)	500	Weight	11.6 kg
Width (external)	600		
Depth (external)	400	Further information	
Internal dimensions (mm)		Amount of air ducts	1 piece
Height front opening	437	Nominal volume flow	250 m ³ /h
Width front opening	484	Differential pressure per air duct	45 Pa



Isometrie (1 : 10)



		Allgemein- toleranzen DIN 2768-m	Maßstab: 1 : 5	Gewicht: 12,43 kg
			Halbzeug:	Material:
8			Datum	Name
7			Bearb. 08.12.08	M.Vigelius
6			Gepr.	
5			Norm	
4				
3				
2				
1				
Zust.	Änderung	Datum	Name	

ASE.050.060.040
Absaugereinheit



Ansichtszeichnung

Blatt
Bl.
© 2011
asecos