



**Cabinet for acids and alkalis SL-CLASSIC-UB
Model SL.060.059.UB.T, light grey**

Safe and approved storage of aggressive, non flammable hazardous materials in working areas

Function / construction:

- **Robust construction and longevity:** made out of highly resistant melamin resin special plates
- **User-friendly:** access to all containers, 93° opening of the wing door, interior of the cabinet completely visible
- **No unauthorised use:** door lockable with cylinder lock and locking state indicator (red/green)
- **Mobile:** castors with plinth (optionally available), easy moving of the cabinet
- **Ventilation:** integrated air ducts ready for connection (DN 50) to a technical exhaust system



Dimensions

Width (external)	590.00 mm
Depth (external)	570.00 mm
Height (external)	600.00 mm
Width (internal)	488.00 mm
Depth (internal)	531.00 mm
Height (internal)	562.00 mm

The available internal dimensions can vary depending on the interior equipment package.

Weight / Load

Weight without interior equipment	40 kg
Distributed load	151.00 kg/m ²
Maximum load	100 kg

Ventilation

Extraction air	50 DN
recom. exhaust air quantity 30 times	4 m ³ /h
Differential pressure (30 times air change)	5 Pa
minimum exhaust air quantity 10 times	1 m ³ /h
Pressure drop inside the cabinet	5 Pa

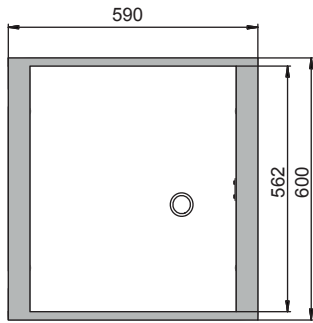
Colouring / Surface finish

Body colour	Light grey
Body surface finish	textured
Door / Drawer colour	Light grey
Door / Drawer surface finish	textured

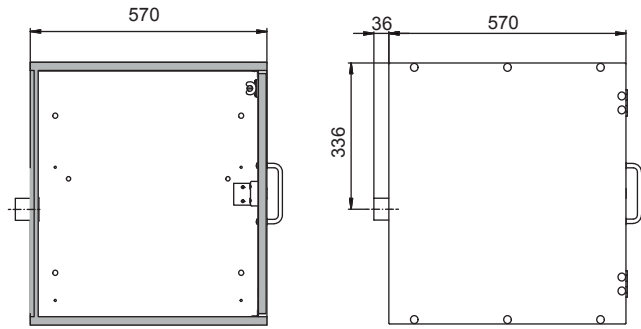
General Information

Number of doors	1
Depth with open doors	1112 mm
Customs tariff number	94032080

Front view



Side view



Top view

