



Cabinet for acids and alkalis SL-CLASSIC
Model SL.196.060.MH.R, laboratory white (sim. RAL 9016)

Safe and approved storage of aggressive, non flammable hazardous materials in working areas

Function / construction:

- **Robust construction and longevity:** cabinet body made of powder-coated sheet steel, safety elements assembled outside the storage compartment for increased protection against corrosion
- **Two in one:** two hermetically separated storage compartments allow the isolated storage of acids and bases in one cabinet
- **No unauthorised use:** doors lockable with profile cylinder (integration in an existing locking system possible)
- **Easy alignment:** adjusting aids to compensate for uneven floor
- **ventilation:** integrated metal-free air ducts ready for connection to a technical exhaust system with only one extraction air inlet

Dimensions

Width (external)	597.00 mm
Depth (external)	603.00 mm
Height (external)	1965.00 mm
Width (internal)	485.00 mm
Depth (internal)	570.00 mm
Height (internal)	914.00 mm

The available internal dimensions can vary depending on the interior equipment package.

Weight / Load

Weight without interior equipment	125 kg
Distributed load	444.00 kg/m ²
Maximum load	300 kg

Ventilation

Extraction air	75 DN
Recom. exhaust air quantity 30 times	8 m ³ /h
Differential pressure (30 times air change)	40 Pa
Minimum exhaust air quantity 10 times	5 m ³ /h
Differential pressure (10 times air change)	40 Pa

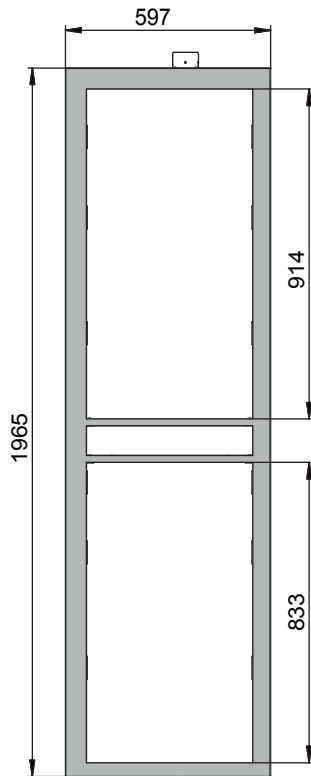
Colouring / Surface finish

Body colour code	
Body colour	Laboratory white (sim. RAL 9016)
Body surface finish	plain
Door / Drawer colour code	
Door / Drawer colour	Laboratory white (sim. RAL 9016)
Door / Drawer surface finish	plain

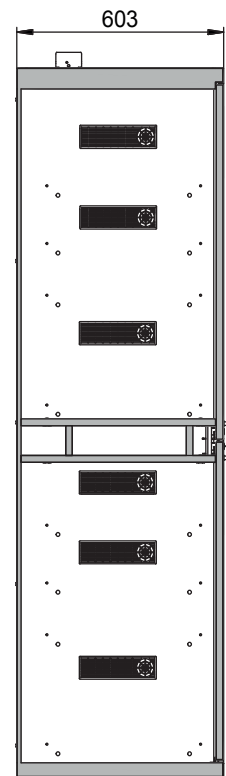
General Information

Number of doors	2
Depth with open doors	1119 mm
Customs tariff number	94032080

Front view



Side view



Top view

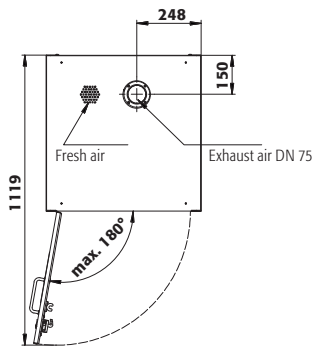


Diagram shows left-hinged door. Dimensions are identical for a right-hinged fitting.